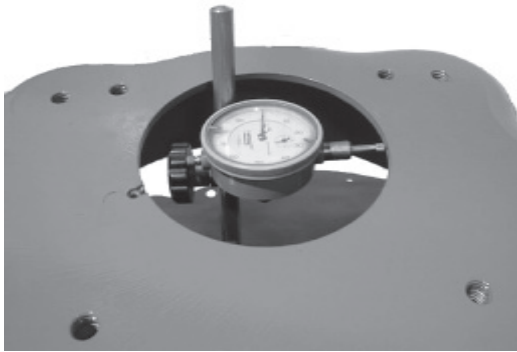


# IMPORTANT

## ***GENERAL BELLHOUSING ALIGNMENT INSTRUCTIONS***

BELLHOUSING ALIGNMENT IS CRUCIAL FOR PROPER CLUTCH FUNCTION AND RELIABILITY OF THE RELATED COMPONENTS. DUE TO MANUFACTURING TOLERANCES OF ENGINE BLOCKS AND BELLHOUSINGS, IT IS POSSIBLE FOR THE TRANSMISSION CENTERLINE AND CRANKSHAFT CENTERLINE TO BE MISALIGNED. THE RESULT OF THIS MISALIGNMENT MAY BE HARD SHIFTING, PILOT BEARING WEAR, TRANSMISSION MAIN SHAFT BEARING WEAR AND FAILURE OF CLUTCH DISC HUB.



FIRST CHECK BELLHOUSING FOR BORE CONCENTRICITY. INSTALL MAGNETIC BASE TO FLYWHEEL OR PRESSURE PLATE, THEN INSTALL THE INDICATOR TO MEASURE THE BELLHOUSING BORE (SHOWN ABOVE). ROTATE THE CRANKSHAFT AND MARK DOWN THE INDICATOR READINGS (MARKING THE BELLHOUSING WORKS WELL). THE MAXIMUM OUT OF CONCENTRICITY IS .005".



NEXT, THE BELLHOUSING FACE SHOULD BE CHECKED FOR PARALLELISM TO THE BACK OF THE BLOCK. INSTALL THE INDICATOR (AS SHOWN ABOVE). ROTATE THE CRANKSHAFT AND MARK DOWN THE READINGS (BE SURE TO PUSH THE CRANKSHAFT AGAINST THRUST BEARING FOR ACCURATE MEASUREMENT). THE MAXIMUM OUT OF PARALLELISM IS .002"

**NOTE:** INSPECT BLOCK SURFACE AND BELLHOUSING FOR DENTS, BURRS, PAINT, DEBRIS, ETC. BEFORE INSTALLING AND CHECKING BELLHOUSING ALIGNMENT.



**"NOTE"** Centerforce tip sheets are for general reference only. Please refer to your owners manual for vehicle specifications.

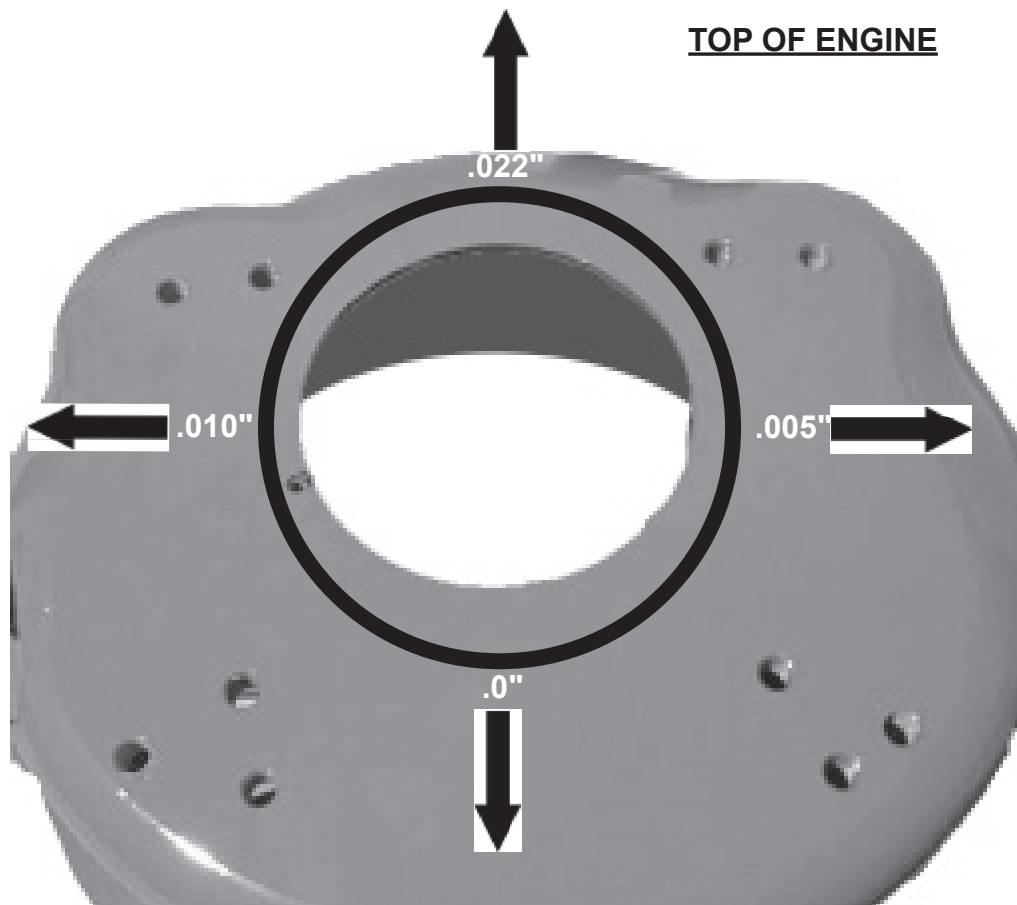
**CONTINUED ON THE BACK SIDE**

# CONTINUED

TO CORRECT OFF-CENTER CONDITION, SELECT THE OFFSET DOWEL PIN PAIR THAT IS CLOSEST TO ONE-HALF OF THE INDICATOR READING (I.E., IF READING IS .016", 1/2R=.008" USE .007" DOWELS. IF READING IS .024", 1/2R=.012" USE .014 DOWELS).

## EXAMPLE

THE BELLHOUSING WAS OFFSET TOWARD TOP OF ENGINE AND SLIGHTLY TO THE LEFT (AS VIEWED FROM BEHIND). TO ALIGN THE BELLHOUSING, INSTALL TWO .014" OFFSET DOWEL PINS WITH THE MAXIMUM OFFSET POSITIONED ROUGHLY AT THE 5 O'CLOCK POSITION.



### OFFSET DOWEL PIN CHART

TOTAL INDICATOR READING	ONE HALF TOTAL INDICATOR READING			SIZE DOWEL TO BE USED
.012" TO .020"	.006" TO .010"			.007"
.022" TO .034"	.011" TO .017"			.014"
.036" TO .052"	.018" TO .026"			.021"
	GM			FORD/CHRYSLER
	<u>LAKWOOD</u>	<u>MOROSO</u>	<u>TAVIA</u>	<u>LAKWOOD</u>
.007	15920	37934	02701	15950
.014	15930	37936	02702	15960
.021	15940	37938	02703	15970

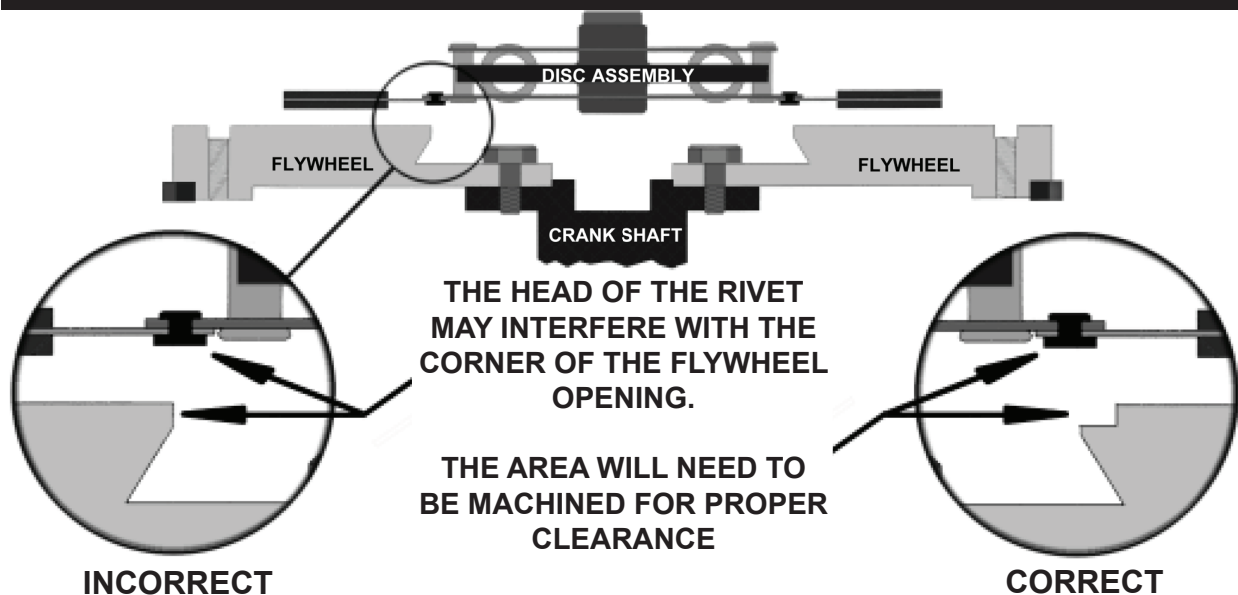
# IMPORTANT

## FORD FLYWHEELS

TO ASSURE PROPER CLUTCH OPERATION, PERFORMANCE, AND CLUTCH LIFE, THE FOLLOWING MUST BE CHECKED AND CORRECTED IF NECESSARY.

POSSIBLE INTERFERENCE MAY OCCUR BETWEEN THE CLUTCH DISC HUB TO MARCEL RIVETS DUE TO THE CENTER OPENING OF THE FLYWHEEL BEING INADEQUATE. THE RIVETS MAY RUB ON THE FACE OF THE FLYWHEEL. CAUSING THE ASSEMBLY TO RELEASE IMPROPERLY, MAKE NOISE DURING ENGAGEMENT, POSSIBLE FLYWHEEL AND DISC DAMAGE, AND/OR PREMATURE CLUTCH DISC FAILURE.

TO CORRECT THIS INTERFERENCE PROBLEM, A RELIEF MUST BE MACHINED INTO THE FLYWHEEL BY A QUALIFIED MACHINE SHOP. THE RELIEF SHOULD BE APPROXIMATELY .100" DEEP WITH SUFFICIENT DIAMETER TO CLEAR THE RIVET HEADS.



"NOTE" Centerforce tip sheets are for general reference only. Please refer to your owners manual for vehicle specifications.

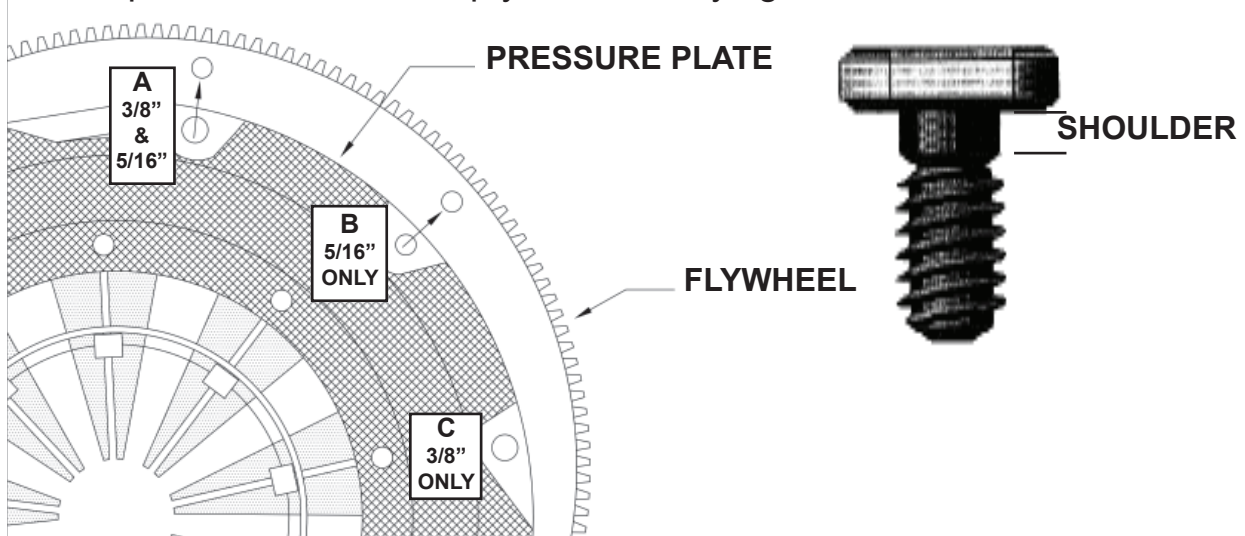
# IMPORTANT

# IMPORTANT

## Installation Notes for DF700000, DF559000, CFT260000, and CF260000

To avoid confusion on which holes to use when bolting the pressure plate to the flywheel. When installing a Centerforce pressure plate, the pressure plate has 9 bolt holes; only 6 of them will be used.

The picture below will help you in identifying which set of holes to use:



**NOTE:** 6 bolts are required to properly locate and fasten the pressure plate to the flywheel. Original equipment flywheels use (6) 5/16" shouldered bolts; bolt hole A & B (see above) to locate and retain the pressure plate. Some aftermarket flywheels may have a pattern aligning to the bolt holes A & C. The pressure plate may be bolted to such flywheels with shouldered 3/8" bolts in holes A & C.

**You must use shoulder type bolts** to mount the pressure plate to the flywheel. This will keep the clutch aligned properly on the flywheel and increase the shear strength. **Please do not use the improper bolts as you will be endangering your safety as well as affecting the balance of the assembly.**



**“NOTE”** Centerforce tip sheets are for general reference only. Please refer to your owners manual for vehicle specifications.

# IMPORTANT

# IMPORTANT

***Please follow these instructions to maintain the warranty of your Centerforce® product!***

**Flywheels:** All Centerforce® clutches need to be installed on a clean, properly resurfaced or brand new flywheel. Flywheels must be within original equipment specifications. Centerforce clutches are designed to be used on flywheels made of cast iron, steel, or aluminum with steel inserts.

**Break-In:** All Centerforce clutches require a break-in period of 450-500 miles of stop-and-go street driving before applying full engine power. This period is required to properly seat the disc with the pressure plate and flywheel.

**Balance:** All Centerforce clutches are balanced from the factory to meet or exceed Original Equipment (O.E.) specifications. Balancing with the Centerforce weights installed on the clutch assembly may cause an out-of-balance condition. Removing the weights without permission from Centerforce may void the warranty.

**Centrifugal Weight System:** If your new Centerforce clutch is equipped with the patented centrifugal weight system, do not remove the ring, weights, or spring wire retaining the weight system to the diaphragm fingers. If your Centerforce clutch does not include the centrifugal weight system, it is because there is not sufficient clearance for Centerforce to safely & effectively install the centrifugal weight system.

**Aftermarket Hydraulic Release Bearings:** When using an aftermarket hydraulic release bearing it is important to check for proper clearance between the bearing and the centrifugal weight system. Some aftermarket hydraulic bearings have an anti-rotator pin that may come into contact with the centrifugal weight system.

**Failure to follow the above procedures will void your warranty and may result in decreased performance and/or premature wear!**

**Questions? Please contact the Tech Department at Centerforce**



**“NOTE” Centerforce tip sheets are for general reference only. Please refer to your owners manual for vehicle specifications.**