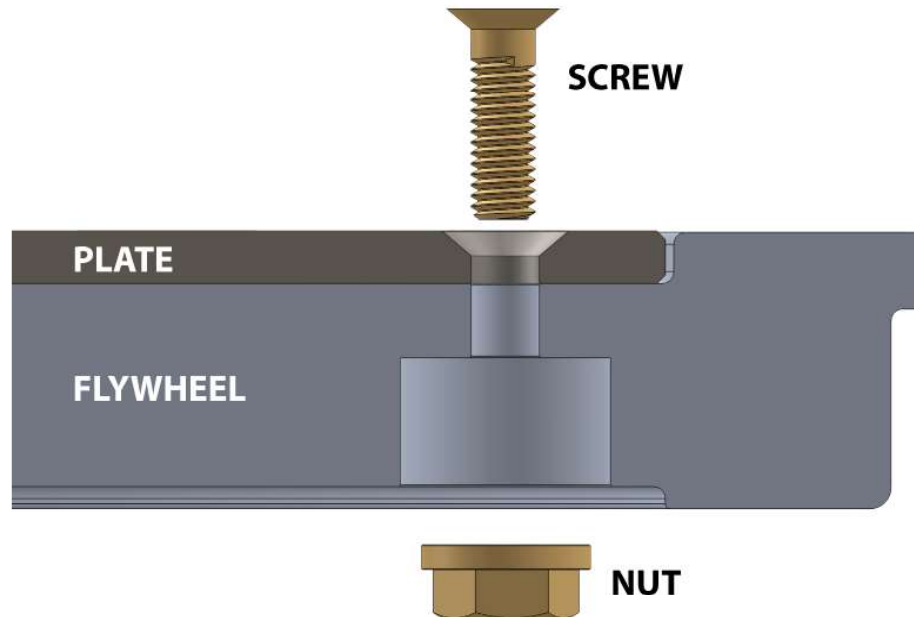


IMPORTANT

ALUMINUM FLYWHEEL FRICTION SURFACE PLATE INSTALLATION INSTRUCTIONS

NOTE: If your worn friction surface plate is riveted on; STOP and please call our Tech Line at (800) 932-5882.



Screwed on friction surface plate installation as follows:

1. Remove old friction surface plate.
2. Once removed, compare old and new friction surface screws – be sure they are the same length.
3. Discard old friction surface screws and nuts.
4. Ensure that BOTH the flywheel and new friction surface plate are clean and burr free.
5. Install the new friction plate as shown using new screws and lock nuts supplied with this kit.
6. Torque new screws and nuts to 5 ft/lbs.

"NOTE" Centerforce tip sheets are for general reference only. Please refer to your owners manual for vehicle specifications.