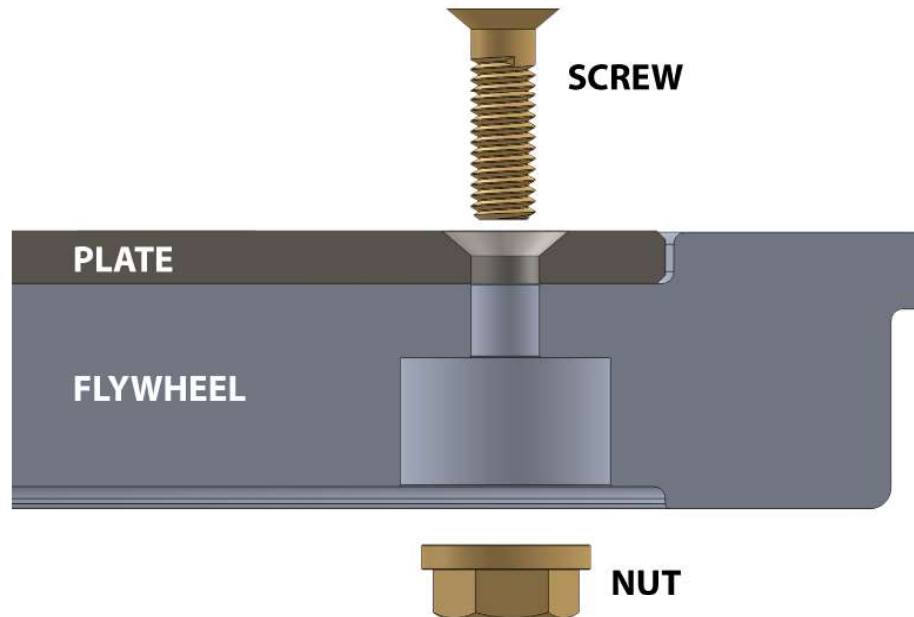


# IMPORTANT

## ALUMINUM FLYWHEEL FRICTION SURFACE PLATE INSTALLATION INSTRUCTIONS

NOTE: If your worn friction surface plate is riveted on; STOP and please call our Tech Line at (800) 932-5882.



**Screwed on friction surface plate installation as follows:**

- 1. Remove old friction surface plate.**
- 2. Once removed, compare old and new friction surface screws – be sure they are the same length.**
- 3. Discard old friction surface screws and nuts.**
- 4. Ensure that BOTH the flywheel and new friction surface plate are clean and burr free.**
- 5. Install the new friction plate as shown using new screws and lock nuts supplied with this kit.**
- 6. Torque new screws and nuts to 5 ft/lbs.**

"NOTE" Centerforce tip sheets are for general reference only. Please refer to your owners manual for vehicle specifications.