

IMPORTANT

TOYOTA SUPRA TURBO CLUTCH ADJUSTMENT (PULL OFF CLUTCH ONLY) PART NUMBERS CF100500, AND DF500100

The following procedures must be followed after installation of new clutch assembly prior to operating or driving of the vehicle.

WARNING: Failure to properly follow these procedures may result in poor clutch performance, improper release, clutch slippage, and premature wear or failure!

- A:** Measure the clutch pedal height (figure B), this height should be 6-3/16" (157mm) to 6-9/16" (167mm) (equal to brake pedal height). To adjust, (figure A), loosen the pedal stop locknut and turn the bolt to adjust pedal height to specification. After proper pedal height is achieved, secure the locknut.
- B:** Measure the clutch pedal freeplay (figure B), this dimension should be between 3/16"(5mm) to 9/16"(15mm). To adjust pedal freeplay, loosen the pushrod locknut and turn the pushrod (located between the clutch pedal and the master cylinder) lengthening the pushrod to reduce pedal freeplay or shortening to add more pedal freeplay to specified freeplay dimension, then secure the pushrod locknut and verify proper adjustment. Once this has been done, the pushrod play should be approx. .040" (1mm) to .200" (5mm).

NOTE: This setting is a recommendation and may be adjusted as needed, however a minimum of 3/16"(5mm) of pedal freeplay must be maintained! Be careful that the pushrod does not begin to depress the master cylinder (pushrod play must be maintained).

Figure A

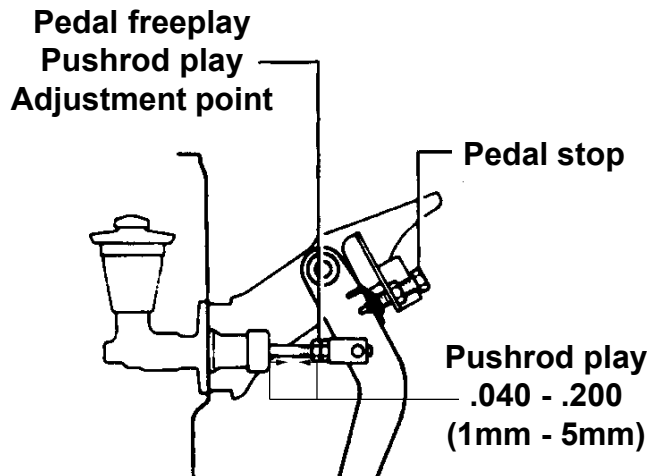
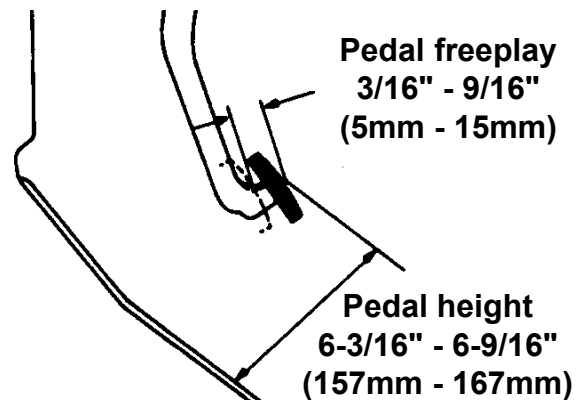


Figure B



"NOTE" Centerforce tip sheets are for general reference only. Please refer to your owners manual for vehicle specifications.

IMPORTANT

Please follow these instructions to maintain the warranty of your Centerforce® product!

Flywheels: All Centerforce® clutches need to be installed on a clean, properly resurfaced or brand new flywheel. Flywheels must be within original equipment specifications. Centerforce clutches are designed to be used on flywheels made of cast iron, steel, or aluminum with steel inserts.

Break-In: All Centerforce clutches require a break-in period of 450-500 miles of stop-and-go street driving before applying full engine power. This period is required to properly seat the disc with the pressure plate and flywheel.

Balance: All Centerforce clutches are balanced from the factory to meet or exceed Original Equipment (O.E.) specifications. Balancing with the Centerforce weights installed on the clutch assembly may cause an out-of-balance condition. Removing the weights without permission from Centerforce may void the warranty.

Centrifugal Weight System: If your new Centerforce clutch is equipped with the patented centrifugal weight system, do not remove the ring, weights, or spring wire retaining the weight system to the diaphragm fingers. If your Centerforce clutch does not include the centrifugal weight system, it is because there is not sufficient clearance for Centerforce to safely & effectively install the centrifugal weight system.

Aftermarket Hydraulic Release Bearings: When using an aftermarket hydraulic release bearing it is important to check for proper clearance between the bearing and the centrifugal weight system. Some aftermarket hydraulic bearings have an anti-rotator pin that may come into contact with the centrifugal weight system.

Failure to follow the above procedures will void your warranty and may result in decreased performance and/or premature wear!

Questions? Please contact the Tech Department at Centerforce



“NOTE” Centerforce tip sheets are for general reference only. Please refer to your owners manual for vehicle specifications.